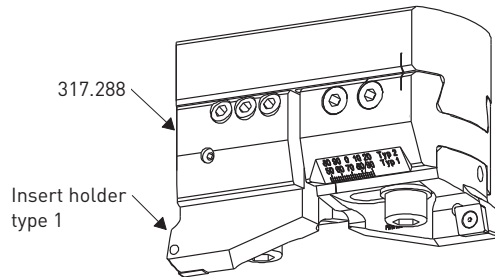




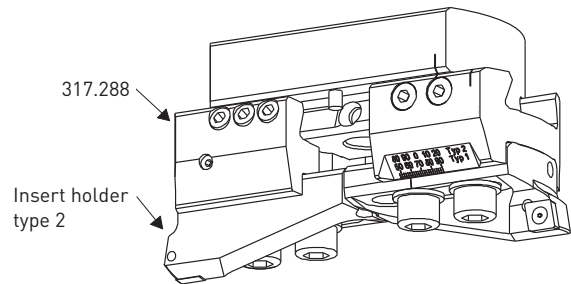
## 317.61

### Operating instruction Rough boring Series 317

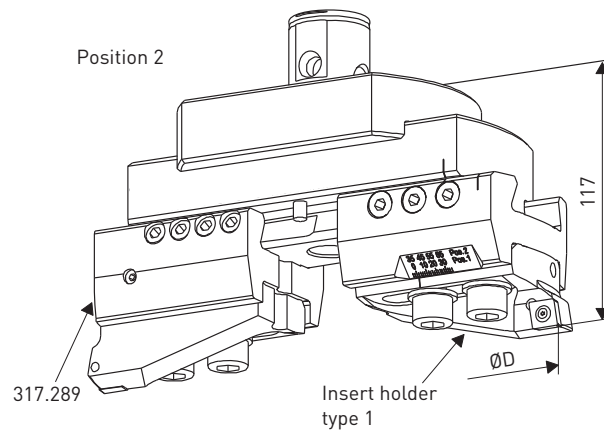
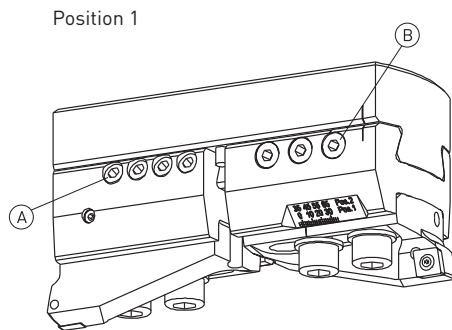
Ø150-188



Ø186-200

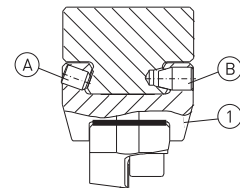


Ø200-1180



#### Adjusting table Ø200-1180

Extension slide	Diameter ØD	Position 1	Position 2	Correction value $\alpha$
317.221	Ø 150 - 200	Ø 150 - 188	Ø 186 - 200	100
317.222	Ø 200 - 270	Ø 197 - 235	Ø 232 - 270	200
317.223	Ø 270 - 340	Ø 267 - 305	Ø 302 - 340	270
317.224	Ø 340 - 410	Ø 337 - 375	Ø 372 - 410	340
317.225	Ø 410 - 480	Ø 407 - 445	Ø 442 - 480	410
317.226	Ø 480 - 550	Ø 477 - 515	Ø 512 - 550	480
317.227	Ø 550 - 620	Ø 547 - 585	Ø 582 - 620	550
317.231	Ø 620 - 690	Ø 617 - 655	Ø 652 - 690	620
317.232	Ø 690 - 760	Ø 687 - 725	Ø 722 - 760	690
317.233	Ø 760 - 830	Ø 757 - 795	Ø 792 - 830	760
317.234	Ø 830 - 900	Ø 827 - 865	Ø 862 - 900	830
317.235	Ø 900 - 970	Ø 897 - 935	Ø 932 - 970	900
317.236	Ø 970 - 1'040	Ø 967 - 1'005	Ø 1002 - 1'040	970
317.237	Ø 1040 - 1110	Ø 1037 - 1075	Ø 1072 - 1'110	1040
317.238	Ø 1110 - 1'180	Ø 1107 - 1145	Ø 1142 - 1'180	1110



- (A) Clamping screw  
 $M_A = 20\text{Nm}$
- (B) Safety screw  
 $M_A = 10\text{Nm}$
- (1) Distance disc for  
double-offset-rough boring DVS  
317.286: Ø150-200  
317.287: Ø200-1180